

Specification sheet

ROHEVEL-GRT2206

4 ... 20 mA/HART - 2wire, rod and cable probe

Radar sensor for continuous level and interface measurement of liquids



Application area

With ROHEVEL-GRT2206 you can measure virtually all kinds of bulk solids and liquids, also under extreme pressure and temperature conditions essentially maintenance free. The sensor delivers precise and reliable measured values even in applications with buildup, foam generation or condensation.

Feature and benefit

■ Twin chips

With two MCU, ROHEVEL-GRT achieves higher processing ability.

■ Multi-Track

Due to new Multi-Track wave tracking algorithm, ROHEVEL-GRT get highest reliability.

■ Waves Memo

Wave management concept. To help understand abnormal output, ROHEVEL-GRT stores wave automatically.

Function

The ROHEVEL-GRT guided radar transmitter is designed for continuous level measuring of conductive or nonconductive liquids and solids. The ROHEVEL-GRT is a "downward-looking" measuring system that functions according to the TDR principle (Time Domain Reflectometry). High frequency microwave impulses are guided along a steel cable or rod. When they reach the product surface, the microwave pulses are reflected and received by the processing electronics. Level distance is directly proportional to the flight time of the pulse.

Technical data

Measuring range

- Cable probe	0 ~ 30 m
- Rod probe	0 ~ 6 m
- Coax probe	0 ~ 3 m

Sample frequency

16Hz

Response time

<2s

Resolution

1mm

Deviation

±2mm

Repeatability

±1.5mm

Frequency

100MHz ~ 1.8GHz

Ambient temperature

-40 °C ~ 70 °C

Process temperature

-40 °C ~ 450 °C

Process pressure

-1.0 kgf/cm² ~ 40 kgf/cm²

Protect level

IP67

Material

The wetted parts of the instrument are made of 316L and ceramic. The process seal is made of graphite.

Housing versions

The housings are available as double chamber version in plastic, stainless steel or aluminium. They are available with protection ratings up to IP 67 (1 bar).

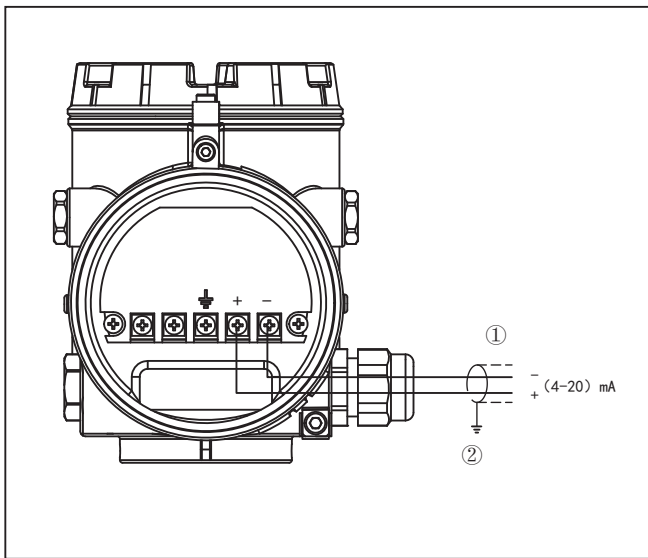
Electronic versions

The instruments are available in different electronics versions. 4 ... 20 mA/HART in two and four-wire version with 24VDC and four-wire with 220VAC.

Operation

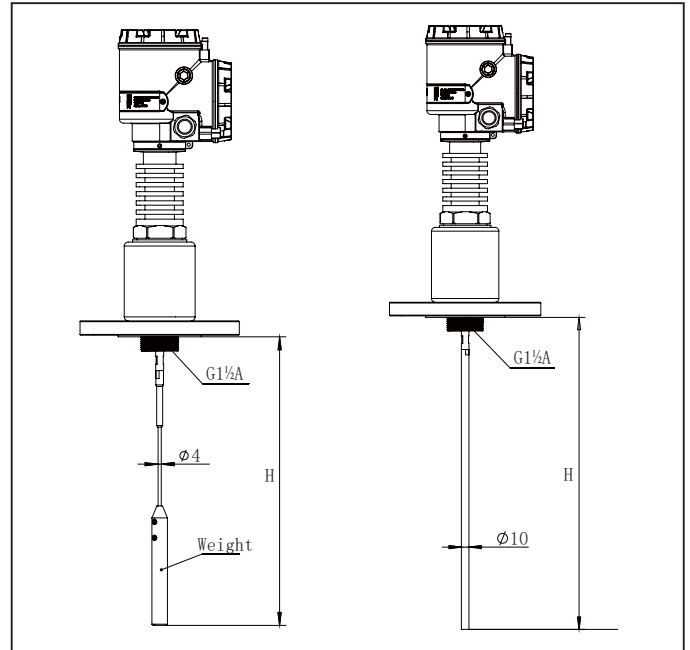
The adjustment of the instrument is carried out via the Lcd display, Tank side display and Tank side hub.

Electrical connection



Electronics and terminal compartment, double chamber housing
 1 Voltage supply/Signal output
 2 Ground terminal for connection of the cable screen

Dimensions

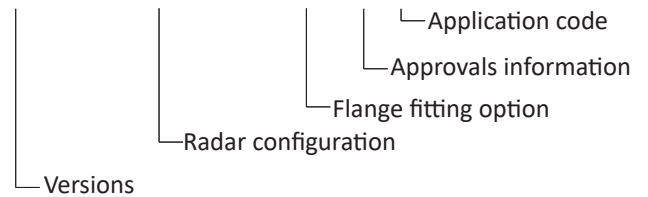


Dimensions ROHEVEL-GRT2206

- 1 Single cable probe
- 2 Single rod probe

How to order

ROHEVEL-
GRT2206-A2AA2XXXXAMF-3FB3AX-A-01B



Approval

- A None
- B Ex ia IIC T6 Ga
- C Ex d ia [ia Ga] IIC T6 Gb
- D ATEX II 1/2G Ex ia IIC T6
- E ATEX II 1/2G Ex d (ia) IIC T6

Radar configuration

A	2	A	A	2	XXXX	1	X	A	M	F
Process fitting										
A Thread 1½"										
C Special thread order										
F Flange										
Process pressure(kgf/cm²)										
M B C D E F G Z										
1 6 16 25 40 160 400 Special order										
Seal/Process temperature										
A Graphite / -40 ~ 280°C										
B Graphite / -40 ~ 450°C										
Limit ring and Extension										
X None										
A With extension (stillpipe length > 150mm)										
B Limit ring and extension (cable electrodes near wall)										
C Bottom location ring										
Z Special order										
Spacers										
1 2 3 4 5 6 7 8 z										
None Φ45 Φ50 Φ75 Φ95 Φ120 Φ145 Φ195 Special order										
Electrodes length										
XXXX in millimeter										
Sensor type										
2 Single cable Φ2										
3 Single cable Φ4										
4 Single rob Φ10										
6 Double cable Φ4										
7 Double rob Φ10										
8 Coax Φ40										
Z Special order Special order										
Interface measurement function										
A None										
B Interface measurement										
Tank side display										
A None										
B Tank side display (I²C/50m)										
C Tank side hub (HART/1500m)										
Z Sepcial order										
Supply/Communication										
2 24VDC-2wires/4-20mA HART										
3 24VDC-4wires/4-20mA HART										
4 220VAC-4wires/4-20mA HART										
0 Special order										
Housing material										
A Cast alminium										
B Stainless steel										
Z Special order										

Flange fitting option

3	F	B	3	A	X
Counter flange					
X None					
A 304					
B 316L					
C Q235					
Z Special order					
Flange material					
A 304					
B 316L					
C Q235					
D PP					
E PTFE					
Z Speical order					
Flange surface type					
2 Solid flange					
3 RF raised face flange					
4 FM male and female face flanges					
5 M male face flanges					
6 TG tongue and groove face flanges					
7 FF flat face flange					
8 RJ ring joint face flanges					
0 Special order					
Flange pressure level					
X Solid flange					
A PN2.5					
B PN10					
C PN16					
D PN25					
E PN40					
F Class150					
G Class300					
H Class600					
I Class900					
Z Special order					
Flange sizes					
A 2"(DN50)					
B 3"(DN80)					
C 4"(DN100)					
D 5"(DN125)					
E 6"(DN150)					
F 8"(DN200)					
G 10"(DN250)					
Z Special order					
Flange standard					
2 ANSI B16.5					
3 EN1092-1					
4 Solid special flange(8mm)					
0 Special order					